

# astech

ALBERT SMITH TECHNOLOGIES

## High Bay / Low Bay Series

### Features

- Patented “Independent Pixel Heat Sink”
- Standard color temperature offering 4000K or 5000K.
- Easily accessible power supply
- Customizable lens distribution & color temperature
- Lightweight aluminum housing design
- Electro-statically applied polyester powder coat finish
- IP65 weather protection
- Highly efficient global brand LEDs



### Optical Performance

- Color temperature: 4000K, 5000K
- Beam pattern: canopy symmetric
- Optimum canopy light distribution

### Electrical Specifications

- Power input: 120/277 VAC 50/60Hz
- Power factor: ≥90%
- THD <20% at full load
- 0-100% dimming control(optional)
- Power consumption: 80-240 W

### Test & Certifications

- ETL certified
- UL standard 1598 & 8750 and 1012
- CSA C22.2 No.107.1 and No.250.0
- LM79, LM80
- RoHS compliant



### LED Performance Specifications

Model	Number of LEDs	Low Bay Fixture with Lens N39					High Bay Fixture with Lens N40				
		Lumens		Measured Wattage	Operating Current	B.U.G	Lumens		Measured Wattage	Operating Current	B.U.G
		4000K	5000K				4000K	5000K			
C0820-80	60	6751	7259	79	0.66	311	6732	7239	79	0.66	411
C0820-90	70	7882	8475	92	0.76	311	7872	8464	92	0.76	411
C0820-100	80	9034	9714	104	0.87	311	9025	9704	104	0.87	411
C0820-120	90	10170	10936	117	0.97	321	10162	10927	116	0.97	411
C0820-130	100	11307	12158	133	1.11	321	11287	12137	133	1.11	411
C0820-150	110	12354	13284	145	1.20	321	12341	13270	145	1.20	511
C0820-160	120	13484	14499	157	1.31	321	13474	14488	157	1.31	511
C0820-170	130	14687	15792	171	1.43	421	14665	15768	171	1.43	511
C0820-180	140	15887	17083	184	1.54	421	15865	17060	184	1.54	511
C0820-200	150	16927	18201	196	1.63	421	16912	18185	196	1.63	511
C0820-210	160	18050	19409	209	1.74	421	18029	19386	209	1.74	511
C0820-220	170	19290	20742	222	1.84	421	19264	20714	221	1.84	511
C0820-240	180	20400	21935	234	1.94	431	20376	21910	233	1.94	511

ASTECH (a Division of the Albert Smith Group)

59 Taylor St Bulimba Qld 4171, Ph. 07 33959888 FX. 07 38910713

EMAIL: [enquiries@asgroup.com.au](mailto:enquiries@asgroup.com.au) WEB: [www.albertsmithgroup.com.au](http://www.albertsmithgroup.com.au)

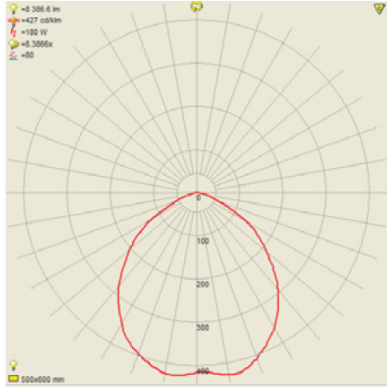
ABN. 42345973910

# astech

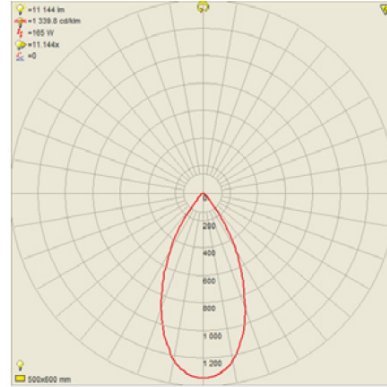
ALBERT SMITH TECHNOLOGIES

## High Bay / Low Bay Series

### Illumination Diagrams

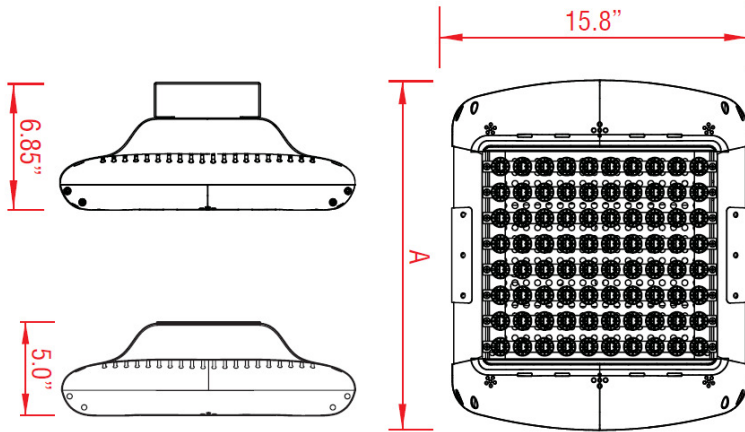


Low Bay Fixture  
Lens: N39

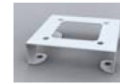


High Bay Fixture  
Lens: N40

### Mounting Options



#### Mounting Bracket



Code: BC  
Ceiling Attached



Code: AC  
Ceiling Pendant



\* The shipment does not include suspender.  
\* A 3/4" metal rigid conduit within one meter is recommended for the CC bracket suspender.

### Ordering information

1. Product Series	2. Mounting	3. Wattage	4. Color Temperature	5. LED Current	6. Lens Type	7. Finish	8. Accessories
C0820	BC - Ceiling attaching	80W-240W	4000 - 4000K	400 mA	N39	W - White	N - None
Area Lighting	AC - Ceiling pendant		5000 - 5000K		N40	Y - Yellow S - Silver	P - Photo Sensor D - Dimming Control (0-100%)

Example: C0820 - BC - 120W - 5000 - 400 - N39 - W - N  
 1 2 3 4 5 6 7 8

ASTECH (a Division of the Albert Smith Group)

59 Taylor St Bulimba Qld 4171, Ph. 07 33959888 FX. 07 38910713

EMAIL: [enquiries@asgroup.com.au](mailto:enquiries@asgroup.com.au) WEB: [www.albertsmithgroup.com.au](http://www.albertsmithgroup.com.au)